

MODEL : DC-207 [Disco Check Valve]

Connection : Wafer PN 40



VTV VALVE, serving Multi-Nation end users in a wide range of applications in many industries including :

1. Palm Oil and Refinery Plant
2. Food Industries
3. Petrochemical Plant
4. Cooling System
5. Heating



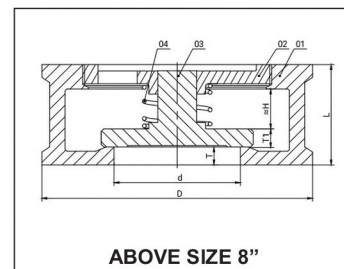
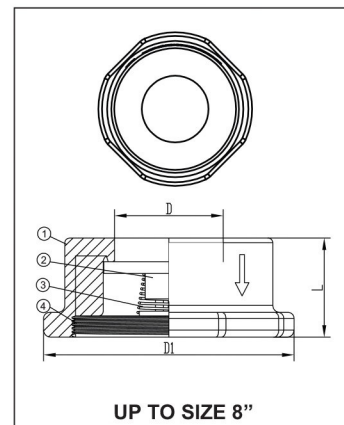
- ◆ **SUITABLE FOR :**
 1. Water
 2. Steam
 3. Oil
 4. Gases
 5. Non-abrasive media

◆ MATERIAL LIST (UP TO SIZE 8")

No.	Part Name	Material
1	Body	CF8/CF8M
2	Disc	CF8/CF8M
3	Spring	SS316
4	Cap	CF8/CF8M

◆ DIMENSIONS UP TO SIZE 8" (mm)

SIZE	DN	D	D1	L	KG
1/2"	15	14	52	23	0.145
3/4"	20	19	62	24.5	0.215
1"	25	24	72	26.5	0.33
1-1/4"	32	30	83	30	0.5
1-1/2"	40	38	93	33	0.7
2"	50	46	106	41	0.97
2-1/2"	65	62	125	46	1.51
3"	80	78	143	52	2.035
4"	100	96	163	60	2.775
5"	125	118	195	80	4.575
6"	150	142	220	97	6.415
8"	200	175	273	107	10.875



◆ MATERIAL LIST ABOVE SIZE 8" (mm)

No.	Part Name	Material
1	Body	CF8M
2	Bonnet	CF8M
3	Disc	CF8M
4	Spring	316

◆ DIMENSIONS ABOVE SIZE 8" (mm)

NPS	DN	D	L	H	T
10"	250	320	145	65	15
12"	300	380	160	75	15

Specification is subject to change without prior notice